



Samuel Kudrna, Jinun Kim, Ryan Baik,
Alexander Kotelnikov, Mattias Dorey
Mentor: Alexei Kotelnikov

Objective

Deploy Linux diskless systems for installation and provisioning with Warewulf and manage our own servers

Warewulf

Warewulf Services:

- **DHCP**
 - Provides network devices with **Ips**
- **TFTP**
 - Provides the **IPXE OS Bootloader**
- **Warewulfd**
 - Deploys the **OS onto the node**
- **VNFS Image**
 - **Contains the OS** and additional configurations

Warewulf Commands:

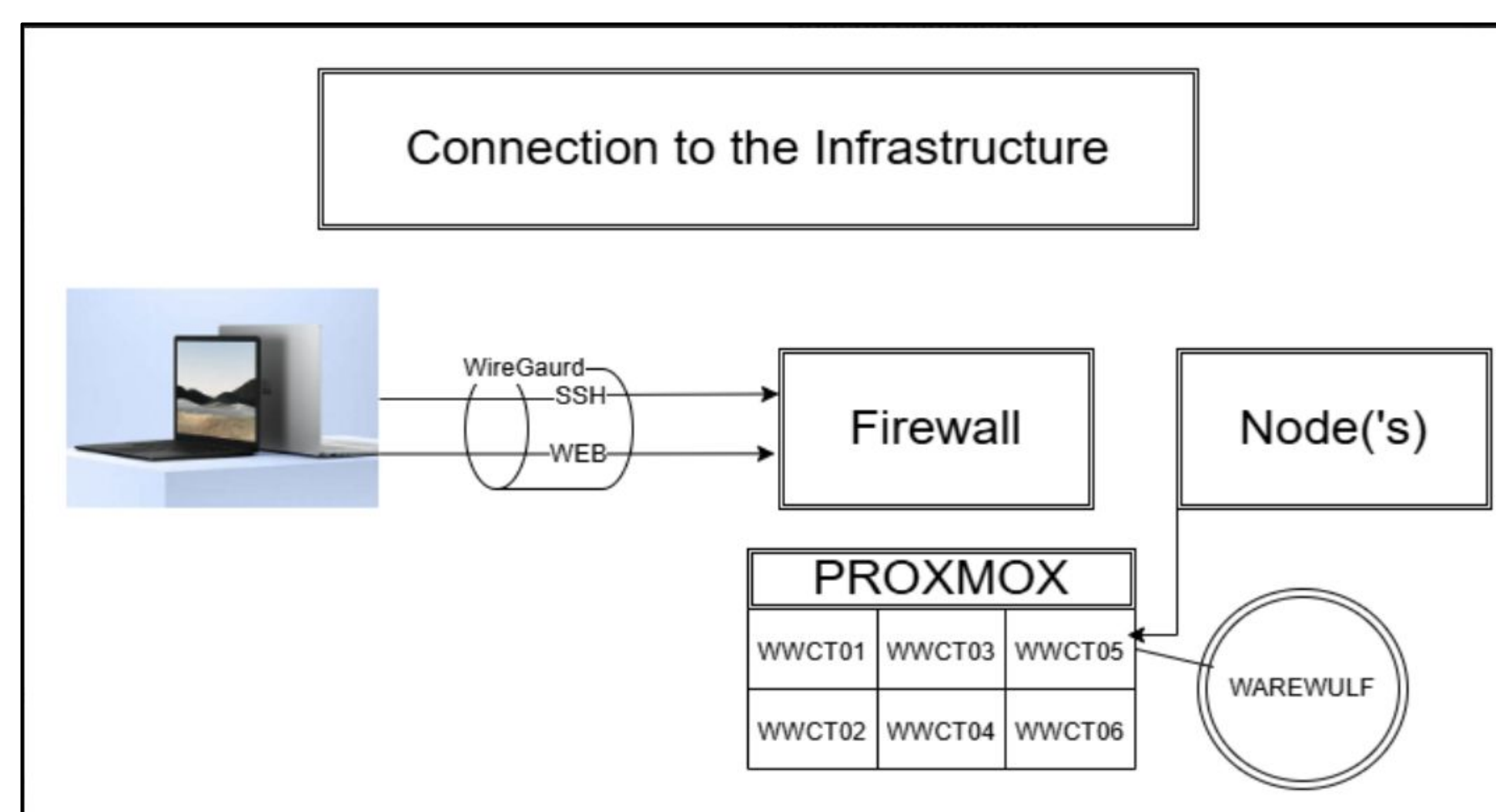
- `wwctl container [import, shell, list]`
- `wwctl profile [set, list]`
- `wwctl node [add, set, status, delete, list]`
- `wwctl overlay build`

The Environment

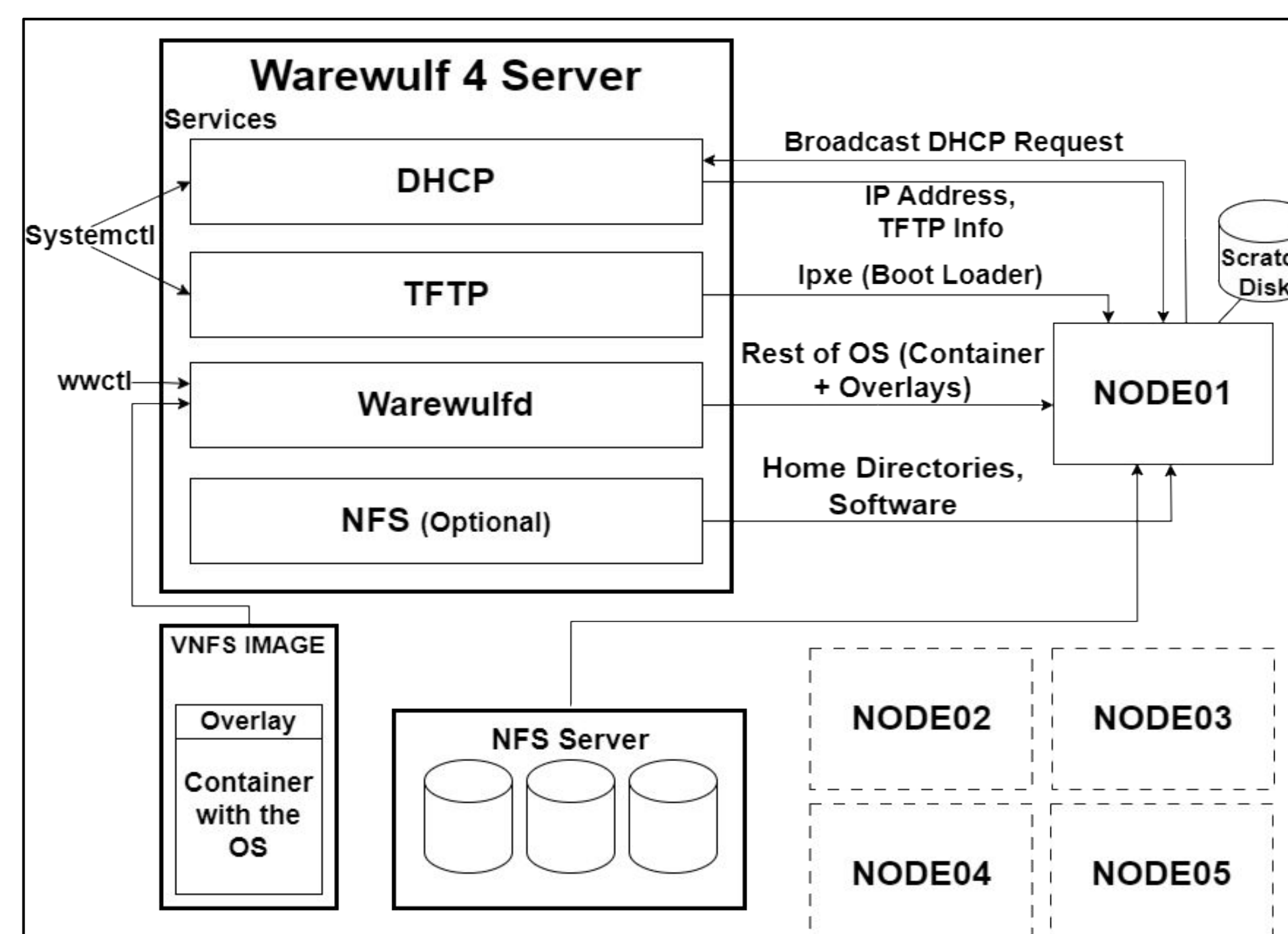
Wireguard - VPN that **creates a tunnel connection** to our nodes

Nodes - Physical servers we used for Warewulf testing

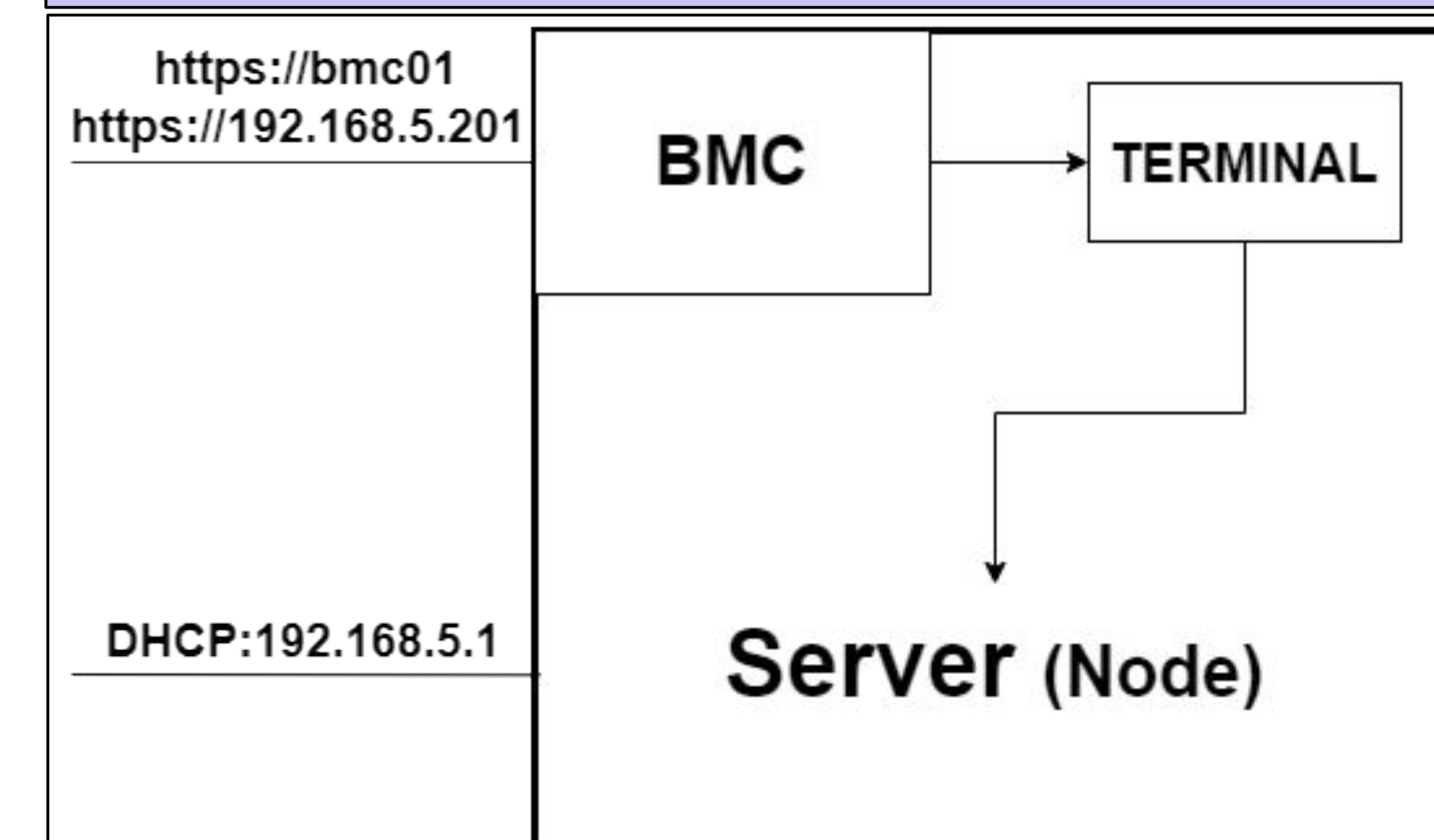
Proxmox - Virtual machines we used to host Warewulf



Warewulf Workflow



Warewulf Netboot

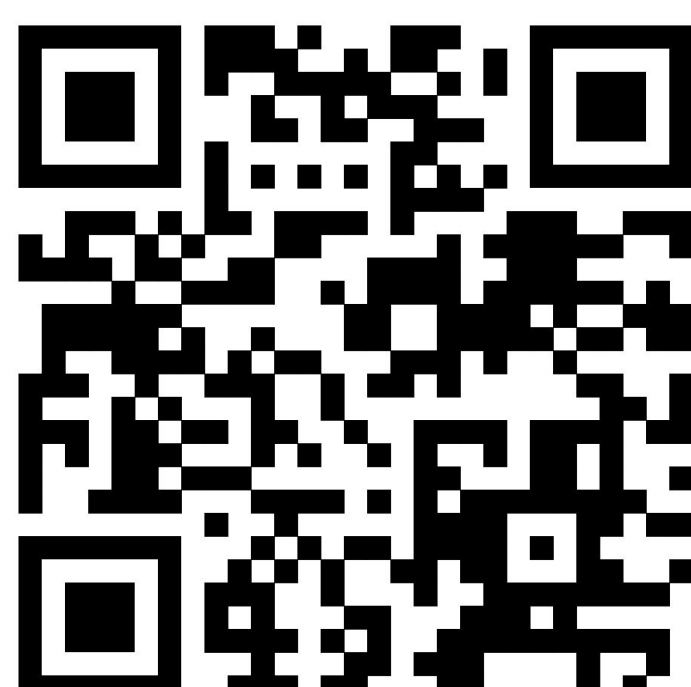


Future Plans

We plan to make Warewulf more usable and customizable by developing python and shell scripts to manage containers and overlays.

Acknowledgements

Ivan Seskar, for managing the internship
Jennifer Shane, for leading the groups
Ruddy Jacas, for presenting his work
Alexei Kotelnikov, for being out mentor
And the rest of the winlab team and interns, for making this such a fabulous experience



← Wiki