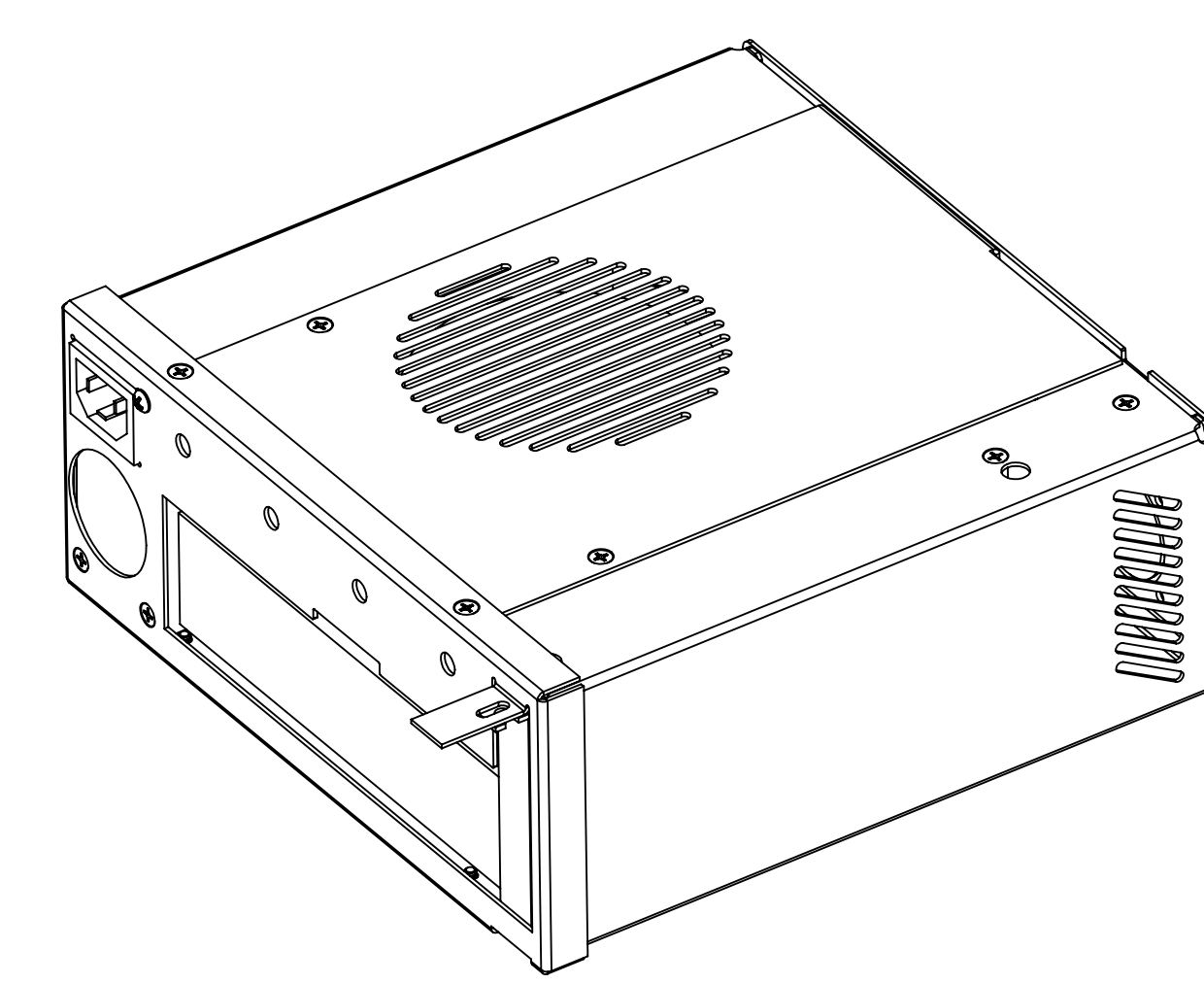


SolidWorks Student Edition. For Academic Use Only.



ITEM NO.	PART NUMBER	DESCRIPTION	QTY.
1	10002		1
2	power sopply	CUSTOMER PART	1
3	mother board		1
4	10003		1
5	cm card		1
6	10001		1
7	10004		1
8	hd	CUSTOMER PART	1
9	SOSO-8632-4Zl	6-32 standoff	4
10	92700A460		4
11	91770A090		4
12	91780A420		3
13	93085A143		3
14	91772A143		3
15	91773A144		1
16	93085A144		14
17	90480A007		2

PROPRIETARY AND CONFIDENTIAL
 THE INFORMATION CONTAINED IN THIS
 DRAWING IS THE SOLE PROPERTY OF
 <INSERT COMPANY NAME HERE>. ANY
 REPRODUCTION IN PART OR AS A WHOLE
 WITHOUT THE WRITTEN PERMISSION OF
 <INSERT COMPANY NAME HERE> IS
 PROHIBITED.

UNLESS OTHERWISE SPECIFIED:		NAME	DATE	TITLE:
DIMENSIONS ARE IN INCHES	DRAWN			
TOLERANCES:	CHECKED			
FRACTIONAL ±	ENG APPR.			
ANGULAR: MATCH ±	MFG APPR.			G.A. COMMENTS:
BEND ±				
TWO PLACE DECIMAL ±				SIZE DWG. NO.
THREE PLACE DECIMAL ±				D 20000-1001
INTERPRET GEOMETRIC TOLERANCING PER:				REV
MATERIAL				
NEXT ASSY	USED ON	FINISH		SCALE: 1:4
APPLICATION				WEIGHT:
				SHEET 1 OF 1