

8 7 6 5 4 3 2 1

D

D

C

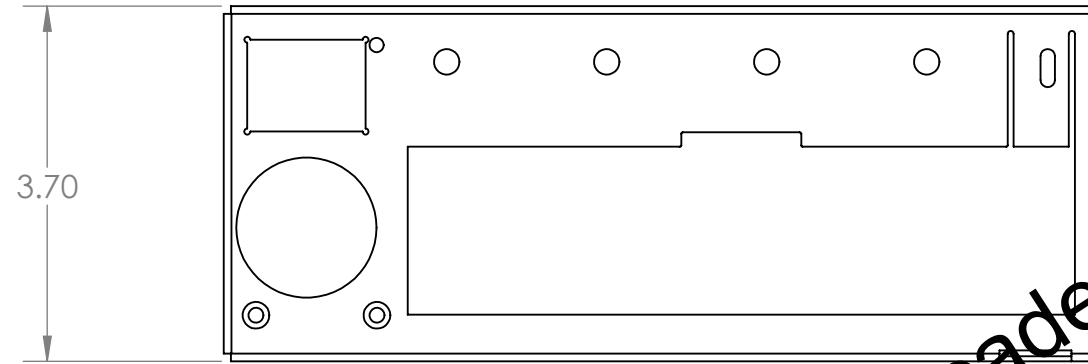
C

B

B

A

A



SolidWorks Student Edition. For Academic Use Only.

PROPRIETARY AND CONFIDENTIAL
 THE INFORMATION CONTAINED IN THIS
 DRAWING IS THE SOLE PROPERTY OF
 Winlab, Rutgers University. ANY
 REPRODUCTION IN PART OR AS A WHOLE
 WITHOUT THE WRITTEN PERMISSION OF
 Winlab, Rutgers University IS PROHIBITED.

UNLESS OTHERWISE SPECIFIED:	
DIMENSIONS ARE IN INCHES	
TOLERANCES:	
FRACTIONAL $\pm 1/64$	
ANGULAR: MACH $\pm 1/2^\circ$	
TWO PLACE DECIMAL $\pm .01$	
THREE PLACE DECIMAL $\pm .003$	
INTERPRET GEOMETRIC TOLERANCING PER:	
MATERIAL	304 SS 18 GAE
FINISH	YELLOW POWER COAT
DO NOT SCALE DRAWING	

	NAME	DATE
DRAWN	DOWLAR R SUGRIM	5/19/2010
CHECKED		
ENG APPR.		
MFG APPR.		
Q.A.		
COMMENTS:		

TITLE:		
SIZE	DWG. NO.	REV
B	10001	1
SCALE: 1:2	WEIGHT:	SHEET 1 OF 3

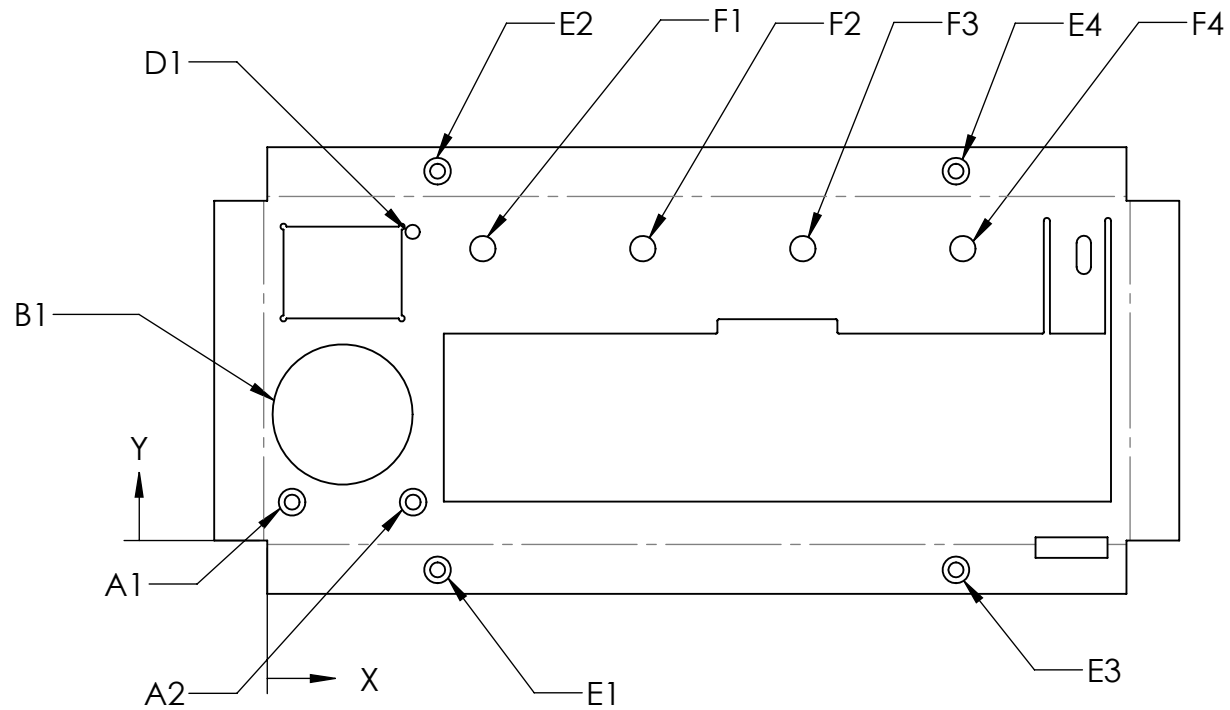
8 7 6 5 4 3 2 1

D

C

B

A



TAG	X LOC	Y LOC	SIZE
A1	.26	.40	ϕ .15 THRU ALL ✓ ϕ .28 X 100.00°
A2	1.52	.40	ϕ .15 THRU ALL ✓ ϕ .28 X 100.00°
B1	.79	1.31	ϕ 1.46 THRU
D1	1.52	3.21	ϕ .15 ∇ .57
E1	1.78	3.85	ϕ .15 ∇ .50 ✓ ϕ .28 X 100.00°
E2	1.78	3.85	ϕ .15 ∇ .50 ✓ ϕ .28 X 100.00°
E3	7.18	-.31	ϕ .15 ∇ .50 ✓ ϕ .28 X 100.00°
E4	7.18	3.85	ϕ .15 ∇ .50 ✓ ϕ .28 X 100.00°
F1	2.25	3.04	ϕ .27
F2	3.91	3.04	ϕ .27
F3	5.58	3.04	ϕ .27
F4	7.25	3.04	ϕ .27

SolidWorks Student Edition. For Academic Use Only.

PROPRIETARY AND CONFIDENTIAL
 THE INFORMATION CONTAINED IN THIS DRAWING IS THE SOLE PROPERTY OF Winlab, Rutgers University. ANY REPRODUCTION IN PART OR AS A WHOLE WITHOUT THE WRITTEN PERMISSION OF Winlab, Rutgers University IS PROHIBITED.

UNLESS OTHERWISE SPECIFIED: DIMENSIONS ARE IN INCHES TOLERANCES: FRACTIONAL $\pm 1/64$ ANGULAR: MACH $\pm 1/2^\circ$ TWO PLACE DECIMAL $\pm .01$ THREE PLACE DECIMAL $\pm .003$		DRAWN	NAME	DATE	TITLE:				
		CHECKED	DOWLAR R SUGRIM	5/19/2010					
		ENG APPR.							
		MFG APPR.							
		Q.A.							
INTERPRET GEOMETRIC TOLERANCING PER:		COMMENTS:			SIZE	DWG. NO.	REV		
MATERIAL 304 SS 18 GAE					B	10001	1		
FINISH YELLOW POWER COAT					SCALE: 1:2			WEIGHT:	SHEET 2 OF 3
DO NOT SCALE DRAWING									

